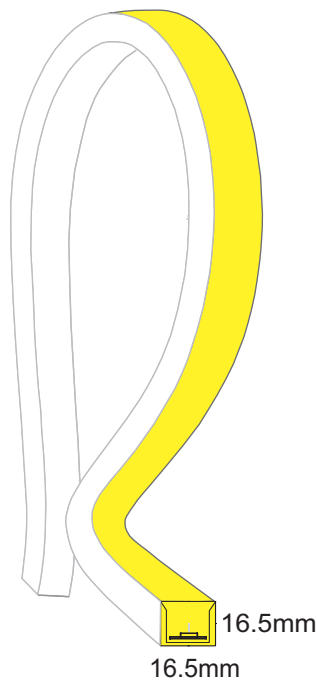


Series-2 1616 Dual White Color **W/WW**



Features

- Uniform and even light output
- Flat surface with 120 degree beam angle
- Dimmable with Dali, 0/1-10, DMX,PWM
- Seamless joint
- Full encapsulated with IP68 Level
- High Reliability
- 3 years warranty
- Optional CCT(2200K+5700K,2700K+5700K,3000K+5700K)

Applications

- Building facade, outline
- Cove lighting
- Sign and advertising lighting
- Linear lighting
- Additional lighting
- Decorative lighting

Series-2 1616 Dual White Color W/WW

Technical Specifications

Model:	S2-NS2835-1616-DW-15W
Working Voltage:	24V DC
Power per Meter:	15W
Working Mode:	PWM CV
LED Type:	SMD2835
LED Qty / meter:	120pcs
Available CT:	2200K/2700K/3000K+5700K
Min. Cutting Unit:	12LEDs
Min. Cutting Length:	3.94"/10cm
Max Length:	33.3'/10m
Lumen Maintenance:	70,000 Hours L70@ 25°C, 50,000 Hours L70@ 50°C
Material:	Eco PVC
Protection Rating:	IP68
Min. Bending:	Dia 12cm
Beam Angle:	120°
Dimmable:	Yes
Bending Direction:	Vertically
Installation Temp.:	0°C to +55°C
Ambient Temp.:	-25°C to +55°C

Color	CCT Wavelength
2200K	2238 ±102K
2500K	2460 ±120K
2700K (WW)	2725 ±145K
3000K	3045 ±175K
3500K (W)	3465 ±245K
4000K	3985 ±275K
4500K (CW)	4503 ±243K
5000K	5029 ±283K
5700K (DW)	5669 ±355K
6500K	6532 ±510K



Series-2 1616 Dual White Color W/WW

Physical Specifications



Class 3



Protection Rating



LM80 Test



UV Protected



CRI80+



Solvents Resistant



Dirt Resistant



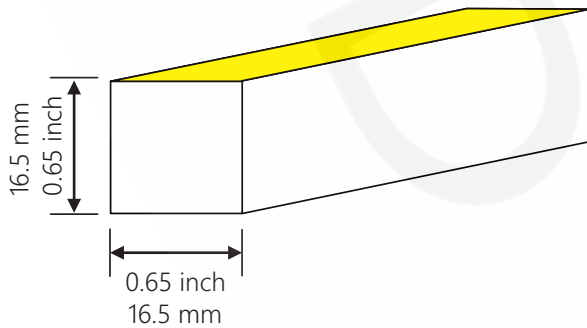
Saltwater Resistant



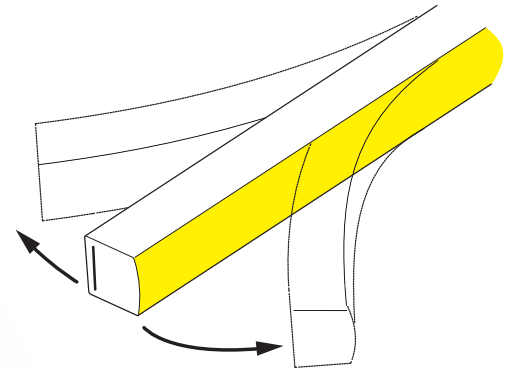
IK08 Protection

Physical Specification

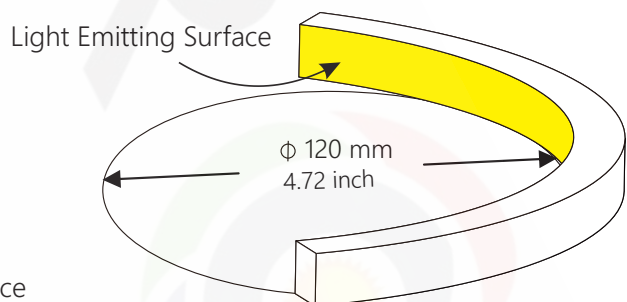
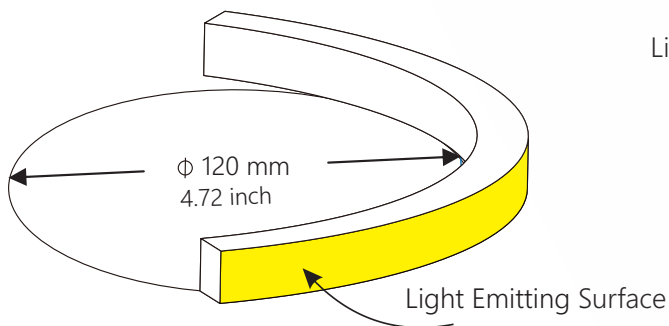
Light profile



Bending direction



Minimum Bending Diameter



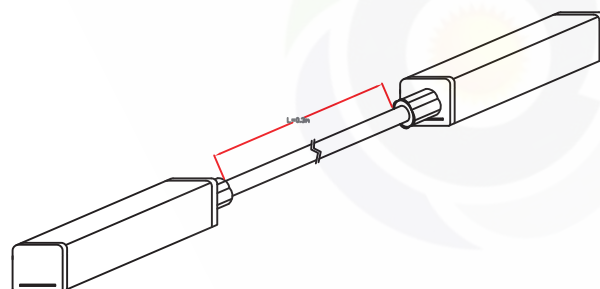
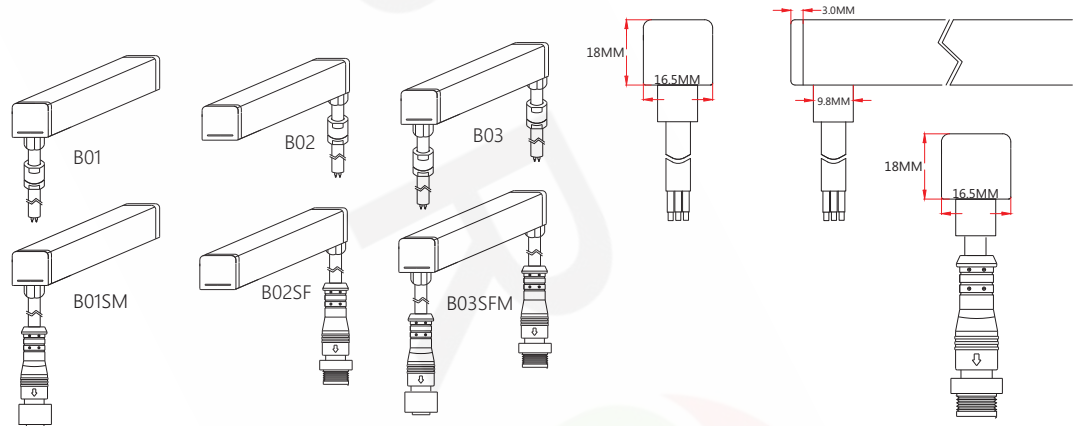
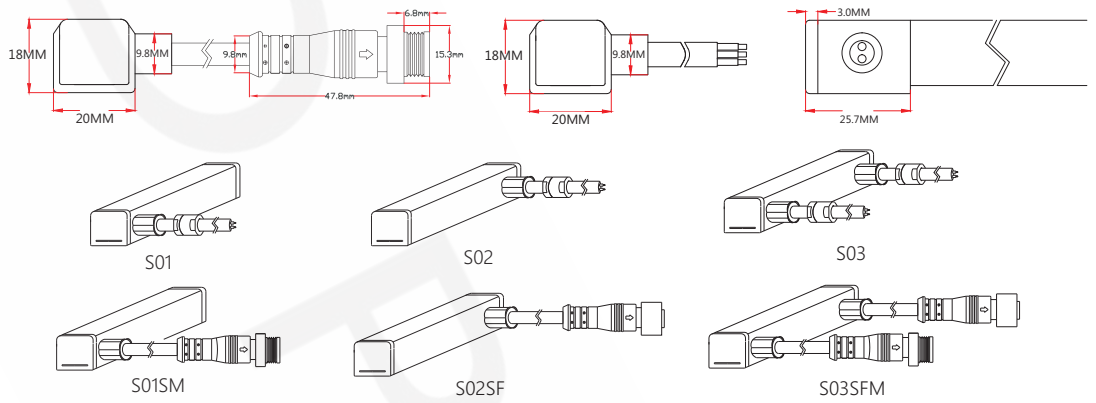
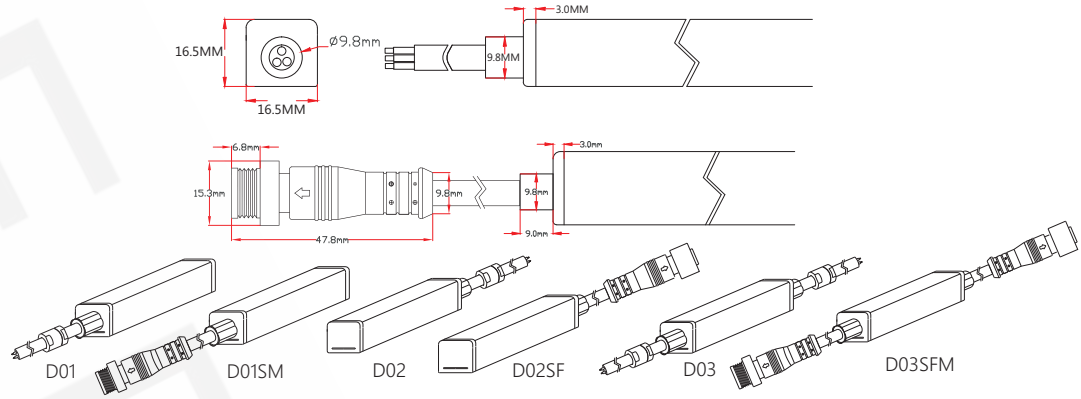
Series-2 1616 Dual White Color W/WW

Moulded Injection Connectors

IP68 Factory Assembly only.



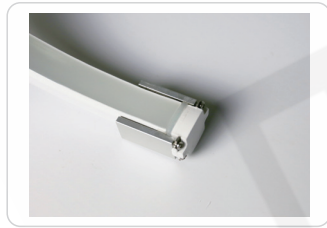
Direct Cable Output



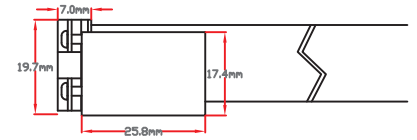
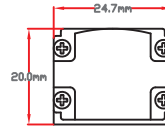
Series-2 1616 Dual White Color W/WW

Screws Connectors

IP67 DIY



End Connector
TP16END

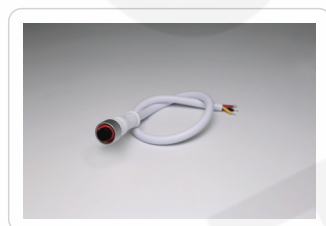


Accessories

M12 3Pins Male/Female Connector IP67



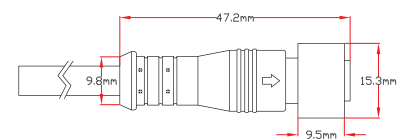
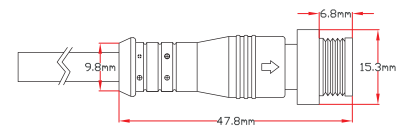
Male connector wire



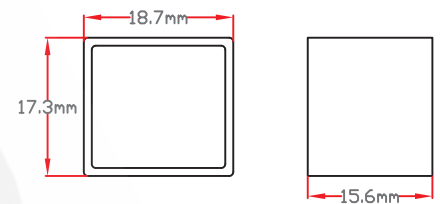
Female connector wire

TP16A3PIN-M

TP16A3PIN-F



PVC End Cap IP20
1616-EC



Series-2 1616 Dual White Color W/WW

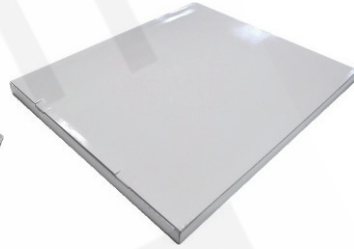
Mounting Channel

Model	Description	Dimension	Drawing
16AS02	<p>Use for : 16A Length option:1m,2m,35mm Material:Aluminum alloy Optional color:AS/AB/PW Type: Standard</p>		
16AS03	<p>Use for : 16A Length option:1m,2m,35mm Material:Aluminum alloy Optional color:AS/AB/PW Type: Anti-drop for upside down installation</p>		
16AH01	<p>Use for : 16A Length option:1m,2m,35mm Material:Aluminum alloy Optional color:AS/AB/PW Type: Cable hiding</p>		
16AFLX	<p>Use for : 16A Length option:10cm,30cm,50cm,100cm Material: Stainless steel Optional color: Polished Type: Flexible</p>		
16AS01-5CM	<p>Use for : 16A Length option: 5cm Material: Stainless steel Optional color: Natural color Type: 316 stainless steel</p>		
ACB	<p>Use for mounting channel for angle adjustment</p>		

Series-2 1616 Dual White Color W/WW

Packaging

Plastic Plate + White Box + Carton.



White Box

Packing Box

Fixture Length	White Box Dimensions	Packing Box Dimensions	# Of White Boxes	Package Weight
196.85in (5m)	15x15x1.181in (38x38x3cm)	16.14x16.14x6.29in (41x41x16cm)	4	23.8lbs (10.8kg)
393.7in (10m)	24.4x19.7x1.57in (62*50*4cm)	25.5x20.8x13.4in (64.8*53*34cm)	3	35.3lbs (16kg)

Plastic Reel + Carton



Fixture Length	Plastic Reel	Packing Box Dimensions	# Of Plastic Reel	Package Weight
787in (20m)	D8.85xH6.3in (D22.5*H16cm)	13.0x13.0x7.1in (33x33x18cm)	1	23.1lbs (10.5kg)
1181in (30m)	D8.85xH6.3in (D22.5*H16cm)	13.0x13.0x7.1in (33x33x18cm)	1	34.6lbs (15.7kg)
Customized Length	D8.85xH6.3in (D22.5*H16cm)	13.0x13.0x7.1in (33x33x18cm)	1	

Series-2 1616 Dual White Color W/WW

Testing

ANSI Standard

Nominal CCT Categories (2200-6500K)

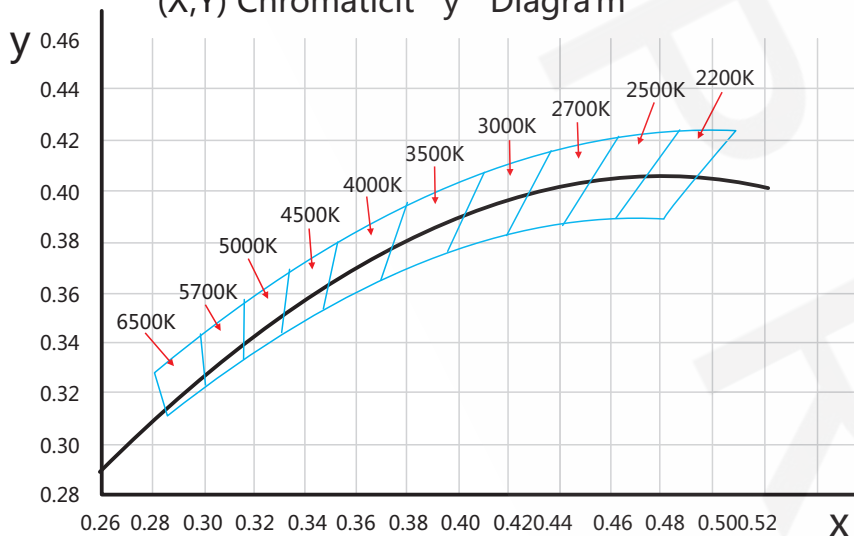
Nominal CCT	Target CCT and tolerance(K)	Target D_{uv}	D_{uv} Tolerance Range
2200K	2238 ±102	0.0000	Tx:CCT of the source
2500K	2460±120	0.0000	For Tx<2870K
2700K	2725 ±145	0.0000	0.000±0.0060
3000K	3045±175	0.0001	For Tx≥2870K
3500K	3465±245	0.0005	$D_{uv}(Tx)±0.0060$
4000K	3985±275	0.0010	where
4500K	4503±243	0.0015	$D_{uv}(Tx)=57700 \times (1/Tx)^2$
5000K	5029±283	0.0020	-44.6 × (1/Tx)
5700K	5667±355	0.0025	+0.00854
6500K	6532±510	0.0031	
Flexible CCT	$T_F^{1)} \pm \Delta T^{2)}$	$D_{uv} T_F^{3)}$	

Remark:

- 1) T_F is chosen to be at 100K steps (2300,2400,.....,6400K),excluding the ten nominal CCTs listed in Table 1.
- 2) $\Delta T=1.1900 \times 10^8 \times T^3 - 1.5434 \times 10^4 \times T^2 + 0.7168 \times T - 902.55$
- 3) Same as in the D_{uv} Tolerance Range.

White Color Charts

(X,Y) Chromaticity Diagram



1. Please note it is under normal range if there is 20-30% yellowing of PVC housing material when the product is used under direct sunlight or long-term high temperature & wet environment in 3 years.

2. About the tolerance range of optical parameters (luminance, CCT, Watt, RA) for all product, the volume is plus and minus 10% fluctuation referring to IEC Standard.

3. It's normal for the tolerance range in total length, it occurs from the different production technology, environmental temperature and installation. the volume would be 0.1-5M±7mm, 5.1-10M±15mm, 10.1-20M±30mm.

Series-2 1616 Dual White Color W/WW

Connection

Loading Chart

Power Supply

Rated power	35W	60W	75W	80W	100W	120W	150W	185W	240W	320W
15W	1.5m	3m	4m	4.2m	5m	6m	8m	9.8m	12.5m	17m

DC input

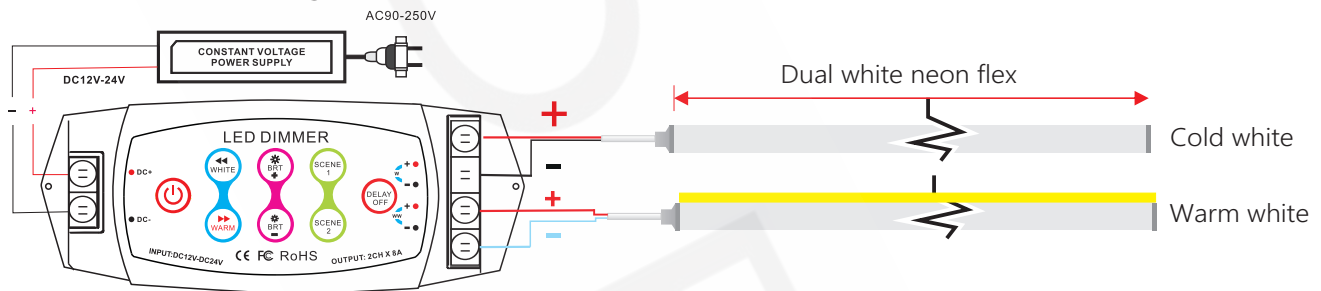


Connection Max Length: 10m power on one end

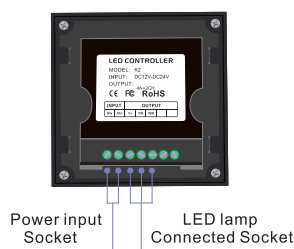
Note: These are the max recommended run lengths based on power

For example: It is recommended to use one 80W power supply for a single-feed run of 4.2m at 15W/m.

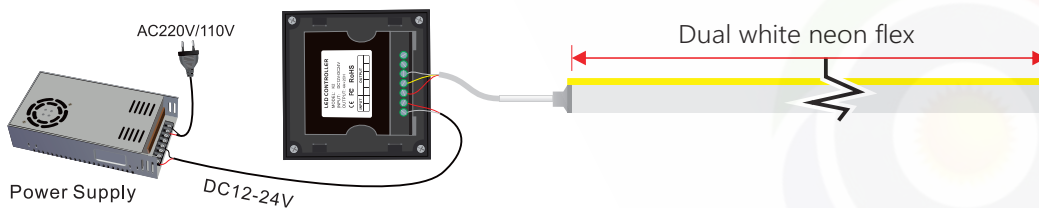
A.Connection Diagram for BC-310 LED CCT Controller



B.Connection Diagram for K2 CCT Rotary Controller



Wiring Diagram:



Series-2 1616 Dual White Color W/WW

C.Connection Diagram for BC-422 Constant Voltage CCT Controller

