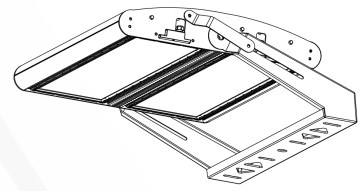


60-400W



500-1200W

# Heavy Duty GEN2 (HDFL-G2)

## Spec Sheet

Version 4.3  
April, 2021

HDFL-G2 is the state-of-the-art, flagship product from Ledpro's collection, engineered with an industry leading fold fin thermal technology and designed for the high performance outdoor lighting market. We are proud to launch this latest generation with the improved features and optics.

## Features & Benefits

- Up to 1200W and over 170,000 luminous flux, with system efficacy exceeding 140 lm/W.
- Slim profile offering best performance ratio for windage and weight.
- Unique, fold fin heatsink technology greatly reduces thermal density and maintains a low LED junction temperature
- Full range of optics for a wide variety of professional lighting applications
- Protective UV stabilized powder coated finish
- IP65 weather resistant
- 0-10V or DALI Dimming options and compatible with all leading lighting control systems

## Applications

Designed for sports, site and area applications such as;

- Any outdoor sports fields & courts
- Indoor arenas
- Signage & Billboards
- Ports & Depots
- Building facades
- Heavy industrial and wet locations

# Technical Specification

<b>Description</b>	LED Flood Ligh(HDFL-G2)
<b>Recommended Product Location</b>	Sports, site and area lighting applications
<i>SINGLE PCB</i>	
<b>Model</b>	<b>FL2-060-G2</b> <b>FL2-080-G2</b> <b>FL2-100-G2</b> <b>FL2-120-G2</b> <b>FL2-150-G2</b> <b>FL2-200-G2</b> <b>FL2-250-G2</b> <b>FL2-300-G2</b> <b>FL2-350-G2</b> <b>FL-2400-G2</b>
<b>Typical System Power (W)</b>	66   85   100   130   155   220   250   310   370   440
<b>Typical Luminous Flux (lm)</b>	9,400   12,100   14,100   18,500   22,100   31,300   35,600   44,100   52,600   62,600
<b>Weight (kg)</b>	4.2   5.9   5.9   7.2   7.2   8.2   8.9   11.1   12.3   12.3
<i>DUAL PCB</i>	
<b>Model</b>	<b>FL2-500-G2</b> <b>FL2-600-G2</b> <b>FL2-800-G2</b> <b>FL2-1000-G2</b> <b>FL2-1200-G2</b>
<b>Typical System Power (W)</b>	500   620   880   1000   1200
<b>Typical Luminous Flux (lm)</b>	71,200   88,200   125,300   142,400   170,800
<b>Weight (kg)</b>	21.5   22.2   21.5 (Remark 1)   21.5 (Remark 1)   25.3 (Remark 1)
<b>Light Source</b>	Lumileds/Osram 5050
<b>Correlated Colour Temperature</b>	3000K, 4000K, 5000K, 6500K
<b>Colour Rendering Index</b>	>70 (>80 optional)
<b>System Efficacy</b>	135 to 143 lm/W (depends on optics)
<b>LED Junction Temp.</b>	≤75°C (@ Ta=25°C)
<b>Light Distribution Options</b>	(Check PHOTOMETRIC section for detail information)
<b>Driver</b>	Meanwell
<b>Input Voltage Range</b>	90-305VAC (347-480VAC optional)
<b>Power Factor</b>	> 0.90
<b>Electrical Class</b>	Class I
<b>Dimming Control (optional)</b>	0-10V, DALI
<b>Ambient Operating Temperature</b>	-40°C to +45°C
<b>Ambient Storage Temperature</b>	-25°C to +80°C
<b>Material</b>	Aluminium (heatsink) / Stainless Steel (bracket)
<b>Optical Cover</b>	Tempered Glass
<b>Finish</b>	Black powder coated (customized RAL colour available upon request)
<b>Ingress Protection (IP)</b>	IP65
<b>Batch Coded</b>	Yes
<b>Certification</b>	CE, CB, SAA, ETL
<b>Remark</b>	(1). For FL2-800-G2 and higher wattage, only remote driver configuration is available. Weight information is FIXTURE ONLY, drivers not included. (2). For 600W and below, all drivers are build-in on fixture. Weight information is driver included. (3). Above luminous flux are typical values, actual results can vary according to different optics. Please refer to latest photometric files.

## Accessories

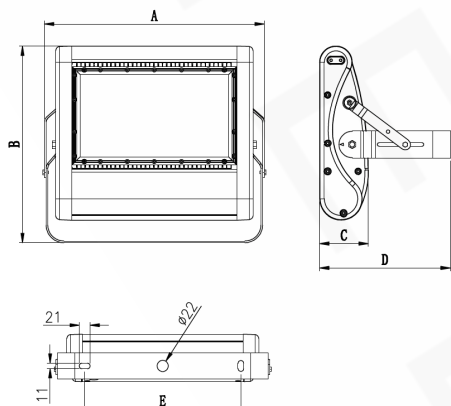
Trunnion bracket / Slip fitter options

NEMA receptacle options

5-pin, 7-pin

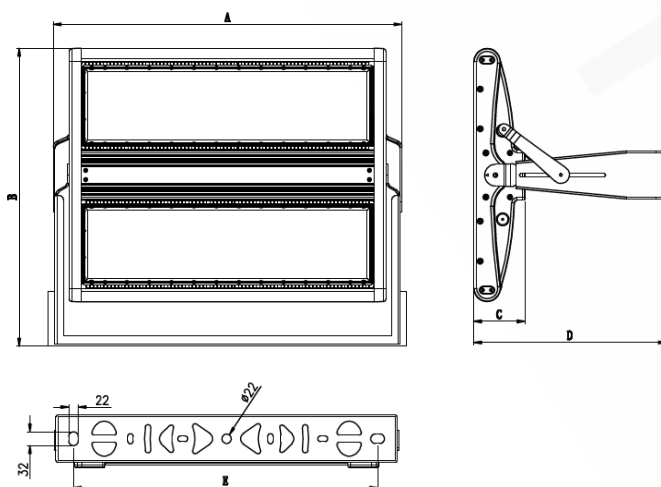
## Dimensions

### 60W to 400W (Single PCB)



Model	Dimensions (mm)		
	A	B	C
FL2-060-G2	259	367	91
FL2-080-G2	310	367	91
FL2-100-G2	310	367	91
FL2-120-G2	360	367	91
FL2-150-G2	360	367	91
FL2-200-G2	411	367	91
FL2-250-G2	461	367	91
FL2-300-G2	562	367	91
FL2-350-G2	663	367	91
FL2-400-G2	663	367	91

### 500W to 1200W (Double PCB)



Model	Dimensions (mm)		
	A	B	C
FL2-500-G2	584	672	116
FL2-600-G2	584	672	116
FL2-800-G2	788	583	116
FL2-1000-G2	788	583	116
FL2-1200-G2	938	583	116

\* Remark:

Please contact our sales representatives for other detail dimensions, such as D and E in above drawings, remote driver box configurations and weight information.

## Photometrics

### Round profile:

N020 = Round 20°x20°

N030 = Round 30°x30°

N060 = Round 60°x60°

### Square profile:

S060 = Square 60°x60°

S090 = Square 90°x90°

### Asymmetric profile:

A045 = Single 45°x145°

A070 = Single 70°x145°

A60S = Linear 60°x90°

A60L = Linear 60°x135°

### Ultra-asymmetric profile:

U030 = Ultra 30°x95°

U060 = Ultra 60°x140°

(Photometric light distribution profile to be supplied separately)

## Ordering Information

Product ID	Power	Version	Color Temp	CRI	Optics	Control
FL2-G2 (Single PCB)	060 = 60W	GEN2	30K = 3000K	70 = Min 70	<b>Round</b> N020 = 20°x20° N030 = 30°x30° N060 = 60°x60°	ND = Non-Dimmable VD = 0-10V Dimmable DD = DALI Dimmable
	080 = 80W		40K = 4000K	80 = Min 80		
	100 = 100W		50K = 5000K			
	120 = 120W		65K = 6500K	<b>Square</b> S060 = 60°x60° S090 = 90°x90°		
	150 = 150W					
	200 = 200W					
	250 = 250W			<b>Asymmetric</b> A045 = 45°x145° A070 = 70°x145° A60S = 60°x90° A60L = 60°x135°		
	300 = 300W					
	350 = 350W					
	400 = 400W			<b>Ultra-asymmetric</b> U030 = 30°x95° U060 = 60°x140°		
FL2-G2 (Double PCB)	500 = 500W					
	600 = 600W					
	800 = 800W					
	1000 = 1000W					
	1200 = 1200W					

Note: Actual performance may differ as a result of end-user environment and application. All values are typical values, measured under laboratory conditions at 25 °C. Specifications subject to change without notice.