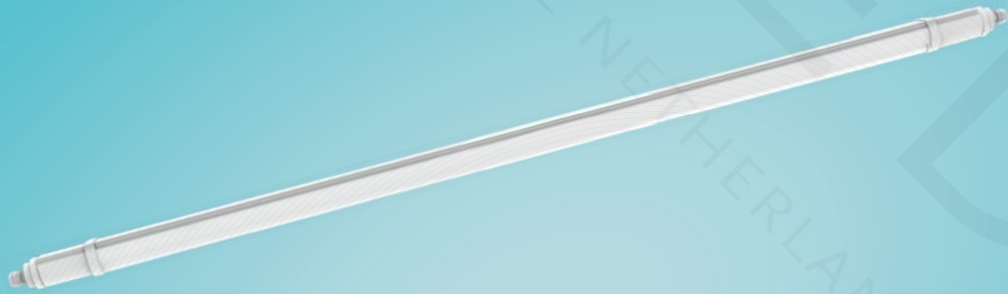


PROTECT SERIES -2

LED TRI-PROOF LIGHT

25W-50W



THE NETHERLANDS | HONG KONG | CHINA

Features

- ⊙ Tool-free assembly ;
- ⊙ Waterproof Protection: IP65
- ⊙ Impact protection: IK08
- ⊙ With 3*1.0mm² go through wiring for series connection ;
- ⊙ Multi-function: Blue-tooth, radar sensor for choice
- ⊙ High efficient up to 145lm/W

Application

Widely used in all types of production line, parking lot, factory, shopping mall, and supermarket. It can replace traditional tri-proof lamp

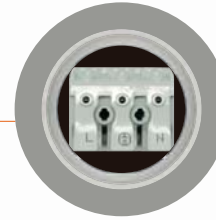


PROTECT Series-2 Technology

Housing and end caps made of
shockproof polycarbonate IK08



Simple connection by
push-on connector

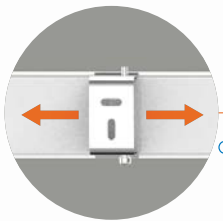


Tool-free open design



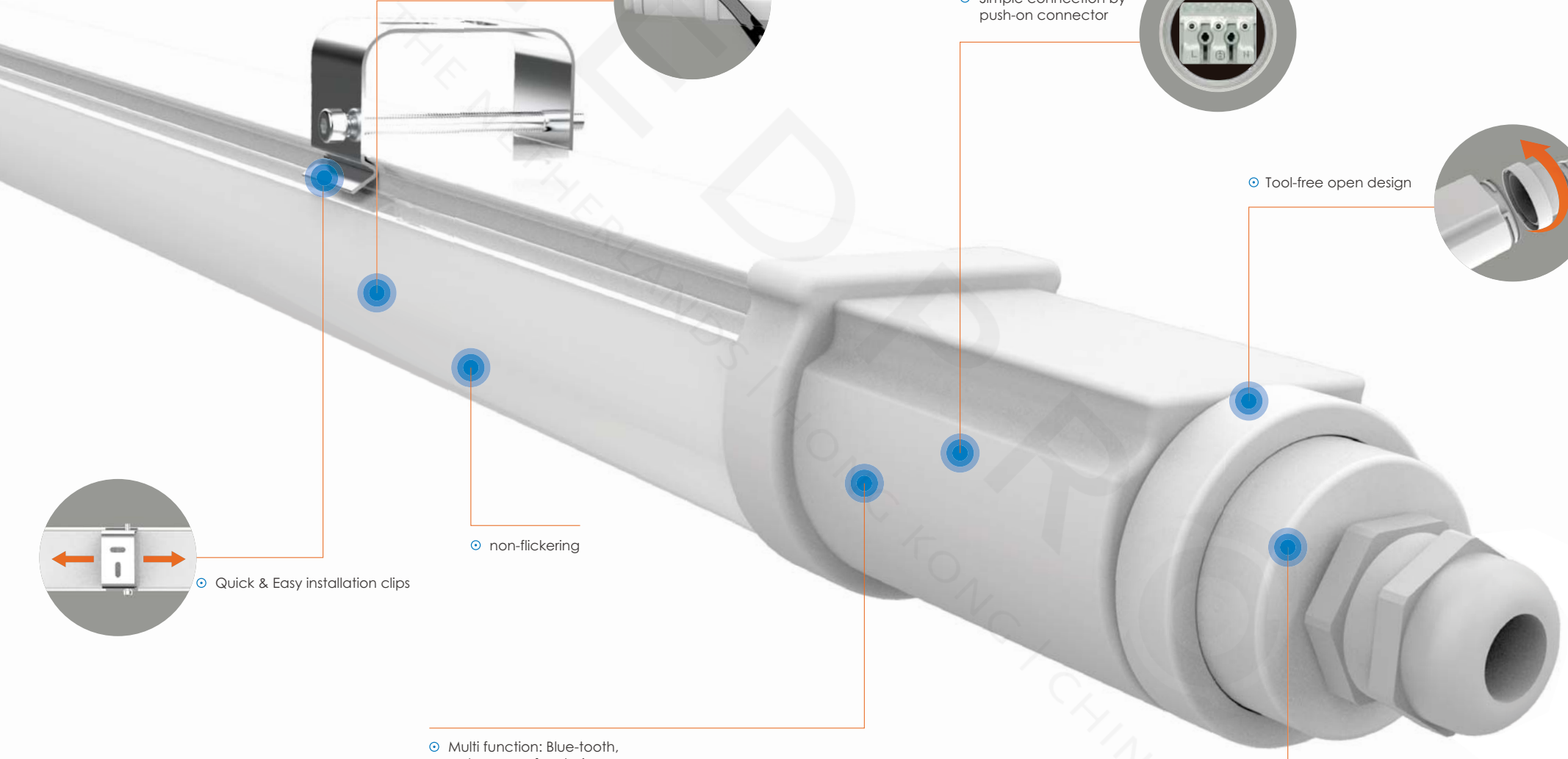
non-flickering

Quick & Easy installation clips



Multi function: Blue-tooth,
radar sensor for choice

With 3*1.0mm² go through wiring
for series connection

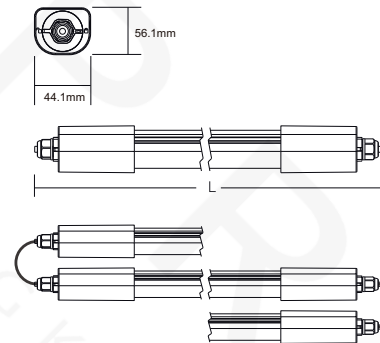


Photometrics

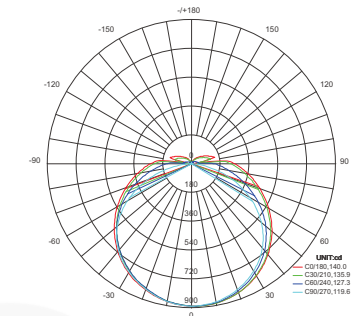
- ⊙ Luminous efficiency up to 145 lm/W
- ⊙ Colour rendering index Ra 80
- ⊙ Symmetrical light distribution
- ⊙ LED rated life 50,000 h (L80, B10)
- ⊙ Replacement for fluorescent lamps



Product Size



Distribution Curve (cd)



Technical Parameter

Model No.	System Power	Length(mm)	Luminous Efficiency	Weight(kg)
MS-LL1550-50B	50W	1500mm	145lm/W	0.88
MS-LL1235-50B	40W	1200mm	145lm/W	0.75
MS-LL0625-50B	25W	600mm	145lm/W	0.4

